

Accessories

Product	Description	Page
Fittings	A variety of sensor mounting fittings are available such as fixed, adjustable, non-adjustable, compression and bayonet style.	121
Thermowells	Thermowells are manufactured from drilled bar stock and provide a pressure-tight connection at the point of installation. These thick-wall thermowells are sturdy enough to handle high pressure, high velocity and corrosive environments. Suited for applications where the sensors are not compatible with the environment.	125
Protection Tubes	Constructed of ceramic or metal. The metal protection tubes are suited for high thermal conductivity for fast, precise readings. The ceramic tubes resist deformation, corrosion, abrasion and oxidation.	130
Connectors	Many varieties of connectors are available such as standard, quick-attach, high-temperature, three-pole and miniature connectors. All Watlow connectors meet the ASTM E1129 requirement and are color coded.	134
Connection Heads and Blocks	Watlow offers standard cast iron or aluminum, explosion proof, and polypropylene heads. Terminal blocks are available to complement the connection heads.	141
Transmitters	Watlow's temperature transmitters offer accurate measurement and improved reliability which reduces downtime and costs. The two-wire signal conditioner is constructed using surface mount and digital technology.	143





Accessories

Fittings

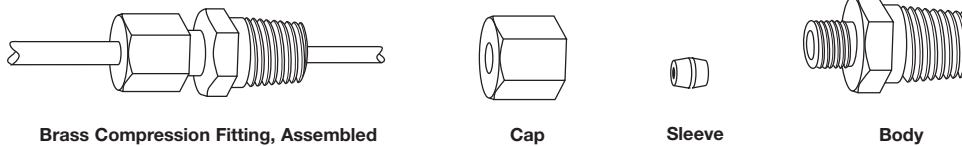
Sensor Mounting Fittings - Non-Adjustable

Non-Adjustable Compression Type

Non-adjustable compression type fittings allow the exact immersion length to be set in the field during sensor installation. Since the compression sleeve and sheath are deformed in application, the fitting cannot be relocated

along the sheath after tightening. When ordered as a part of a sensor for mounting the thermocouple, all compression type fittings are shipped finger-tight on the sheath.

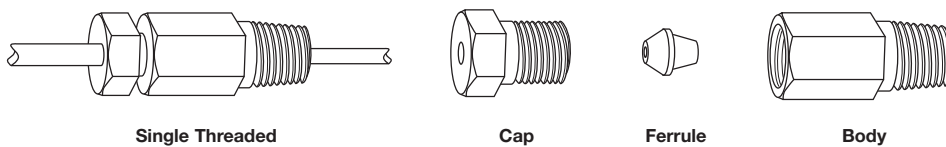
Brass Compression Fitting, Non-Adjustable



Part No.	Sheath O.D. in.	Material	Bore +0.10, -0.000 in.	Male NPT in.	Length in.
TH-185-2	0.125	Brass	0.130	1/8	1
TH-185-3	0.188	Brass	0.192	1/8	1 1/2
TH-185-4	0.250	Brass	0.256	1/8	1 1/2
TH-185-5	0.250	Brass	0.256	1/4	1 3/8
TH-185-6	0.313	Brass	0.318	1/4	1 3/8
TH-185-7	0.375	Brass	0.380	1/4	1 1/2
TH-185-9	0.250	Brass	0.256	1/2	1 3/4

Stainless Steel Compression Fitting, Non-Adjustable

Made entirely of 303 stainless steel



Single Threaded		Sheath O.D. in.	Bore ±0.001 in.	Male NPT in.	Hex Across Flats in.
Part No.	Length (in.)				
TH-2745-063	1 1/4	0.063	0.067	1/8	1/2
TH-2745-125	1 1/4	0.125	0.129	1/8	1/2
TH-2745-188	1 1/2	0.188	0.194	1/8	1/2
TH-2745-250	1 1/2	0.250	0.257	1/8	1/2

Note: All accessories are subject to minimum purchase quantities.

Accessories

Fittings

Sensor Mounting Fittings - Adjustable

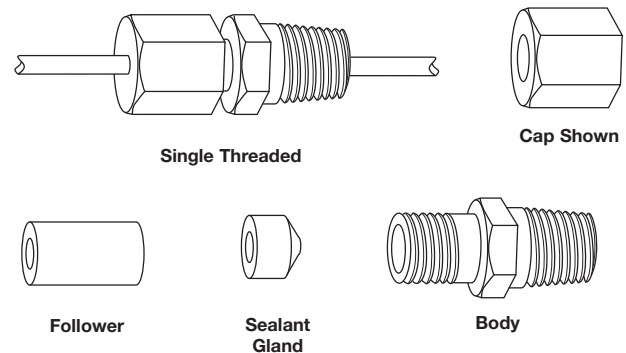
Adjustable Compression Type

Adjustable compression type fittings can be relocated at different positions along the sheath whenever changes in the immersion length are necessary. To relocate an adjustable compression fitting, simply loosen the cap,

slide the fitting to the new location and retighten the cap. It is recommended that lava sealant glands be replaced after each tightening. Tetrafluorethylene (TFE) sealant glands should withstand several relocations before replacement is necessary.

Stainless Steel Adjustable Compression Fitting

Except for their sealant glands, these fittings are made entirely of 303 stainless steel. Sealant glands are available in lava, -300 to 1000°F (-184 to 540°C) and TFE, -300 to 500°F (-184 to 260°C). Unless otherwise specified,* TFE sealant glands are provided. Fittings are pressure rated up to 3,000psi depending on temperature and sheath diameter.

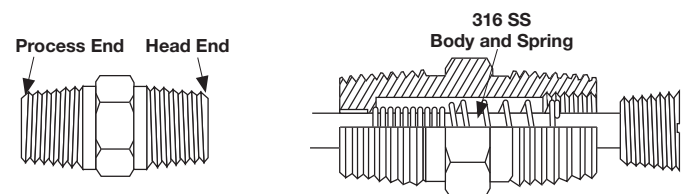


Single Threaded		Sheath O.D. in.	Bore +0.002 in.	Male NPT in.	Hex Across Flats in.	Replacement Sealant Glands, Neoprene
Part No.*	Length in.					
TH-2747-T-063	1 ¼	0.063	0.067	⅛	½	TH-279-T-063
TH-2747-T-125	1 ¼	0.125	0.136	⅛	½	TH-279-T-125
TH-2747-T-188	1 ¼	0.188	0.193	⅛	½	TH-279-T-188
TH-2748-T-250	2 ⅞	0.250	0.257	¼	¾	TH-280-T-250
TH-2748-T-313	2 ⅞	0.313	0.316	¼	¾	TH-280-T-313
TH-2748-T-375	2 ⅞	0.375	0.386	¼	¾	TH-280-T-375

*If lava sealant glands are desired, substitute L in place of T in the part number.

Adjustable Spring-Loaded Hex Fitting

The adjustable spring-loaded fitting has a stainless steel body, end cap and spring and is designed for use with 0.250 inch O.D. sheath thermocouples and RTDs. This fitting is not intended for use in pressurized applications.



Part No.	Sheath			Male NPT in.	Hex Across Body Flats in.	Hex Across Cap Flats in.
	Length in.	O.D. in.	Material			
6556-250	2	0.250	316 SS	⅛	¾	⅝

Note: All accessories are subject to minimum purchase quantities.

Accessories

Fittings

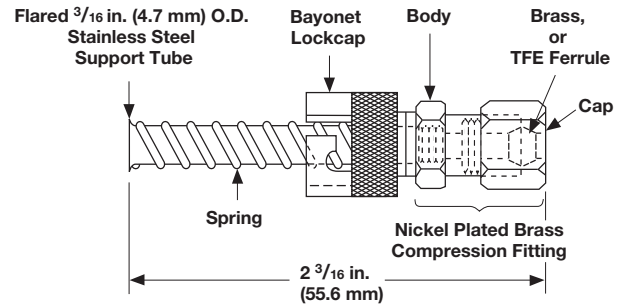
Bayonet Fittings

Adjustable Bayonet Compression Fitting

This fitting combines features of the fixed bayonet fitting in a compact unit which does not require brazing to assemble.

The fitting is designed for 0.125 inch O.D. sensor and is available with either brass or TFE ferrules.

For TFE ferrules, the fitting may be relocated at different positions along the sheath if changes in the immersion length are necessary. Brass ferrules cannot be relocated once they are set.

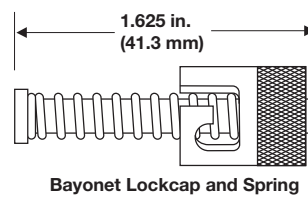


Part No.	Description
TH-2762-BR	Adjustable bayonet fitting with brass ferrule
TH-2762-T	Adjustable bayonet fitting with TFE ferrule

Fixed Bayonet Fitting

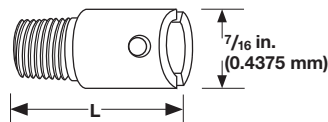
When used together, a bayonet fitting and bayonet adapter act as a spring-loading device for bottoming a thermocouple hot junction in a hole. The fitting is designed for use on an 0.188 inch O.D. sensor. The TH-2760 fitting includes a lockcap, spring and spring stop, which requires brazing for assembly.

The adapter requires a tapped $\frac{1}{8}$ inch NPT or $\frac{3}{8}$ 24 hole for mounting. All components are nickel plated steel.



Part No.	Description
TH-2760	Lockcap, spring and spring stop

Bayonet Adapter



Part No.	Description	L Length in.	Thread in.
TH-295-1	Bayonet Adapter	$\frac{7}{8}$	$\frac{1}{8}$ NPT
TH-295-2		1	$\frac{1}{8}$ NPT
TH-295-3		$1\frac{1}{2}$	$\frac{1}{8}$ NPT
TH-295-4		2	$\frac{1}{8}$ NPT
TH-295-5		$2\frac{1}{2}$	$\frac{1}{8}$ NPT
TH-298-1		$\frac{7}{8}$	$\frac{3}{8}$ -24 SAE
TH-298-2		$1\frac{1}{2}$	$\frac{3}{8}$ -24 SAE

Note: All accessories are subject to minimum purchase quantities.

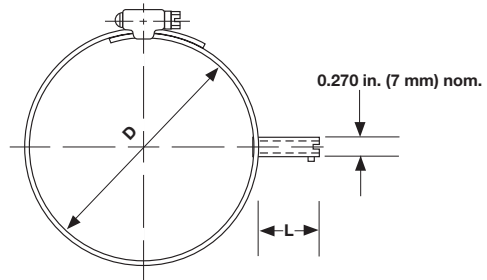
Accessories

Fittings

Bayonet Fittings (Continued)

Pipe Clamp with Bayonet Adapter

The pipe clamp band with bayonet adapter is designed for use in conjunction with a bayonet style thermocouple. It allows temperature measurement without drilling or tapping. Thermocouple replacement is extremely fast and simple and is accomplished without disturbing surroundings, such as pipe insulation.



Ordering Information

Part Number

① ② Const. Part	③ "D" Clamp Band Dia.	④ "L" Bayonet Adapter Length

① ②	Construction Code
90 =	Pipe clamp band with bayonet adapter
③	"D" Clamp Band Diameter Range (in.)
A =	1 ¹ / ₁₆ to 1 ¹ / ₄
B =	1 ¹ / ₄ to 2 ¹ / ₄
C =	2 ¹ / ₄ to 3 ¹ / ₄
D =	3 ¹ / ₄ to 4 ¹ / ₄
E =	4 ¹ / ₄ to 5
F =	5 to 6
G =	6 to 7
④	"L" Bayonet Adapter Length (in.)
1 =	1 (use with thermocouple that has "B" dimension = 2 in.)
2 =	2 (use with thermocouple that has "B" dimension = 3 in.)

Note: All combinations are available for next day shipment.

Note: All accessories are subject to minimum purchase quantities.

Accessories

Thermowells

Manufactured from drilled bar stock, Watlow thermowells provide a pressure-tight connection at the point of installation. With thick walls, thermowells are sturdy enough to handle high pressure, high velocity and corrosive environments. They are frequently used in petrochemical and power plant applications.

Highly critical or demanding applications may require thermowells not only for protection of the temperature sensor, but also to withstand high pressure, erosion or both, caused by material flows through vessels.

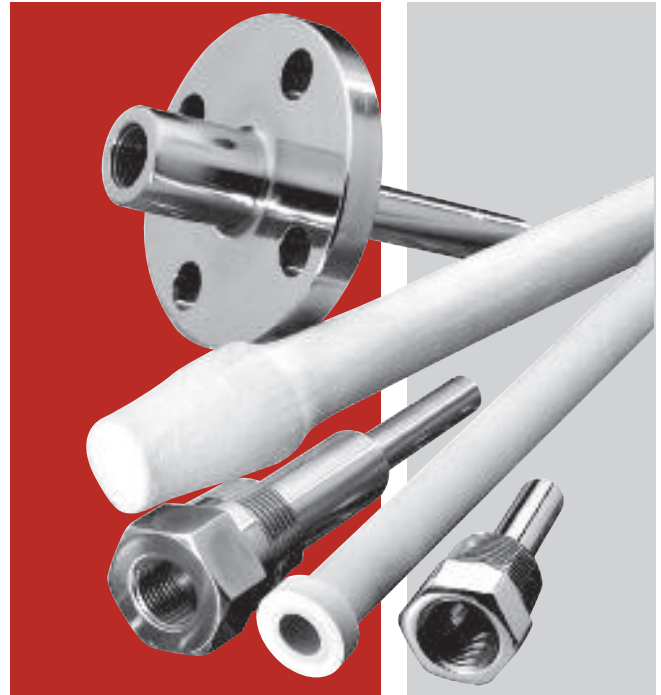
Features and Benefits

Bar stock used to manufacture thermowells

- Provides protection against corrosion
- Round bar with wrench flats is substituted when hex is not available

Typical Applications

- Petrochemical
- Chemical
- Oil refineries
- Power plants
- Storage tanks and lines



	Manufacturing Standards
Bar Stock	Mill Standards (± 0.010 inch approximately)
Process Connection	Threaded: Inspected with standard ring gauge Flanged: Front J groove welds are $\frac{1}{4}$ inch wide by $\frac{1}{4}$ inch deep. Welds are machined, leaving $\frac{1}{8}$ inch radius. Rear welds are $\frac{1}{8}$ inch wide by $\frac{1}{8}$ inch deep. Welds are machined, leaving $\frac{1}{8}$ inch radius. Full penetration welds are available upon request. Must be specified.
Stem O.D.	Straight: ± 0.015 inch Tapered: ± 0.015 inch (minor dimension)
U Dimension	$\pm \frac{1}{8}$ inch
Overall Dimension	$\pm \frac{1}{8}$ inch
End Thickness	$\frac{1}{4}$ inch $\pm \frac{1}{16}$ inch
Finish	63 RMS
Bore	+0.005 inch -0.003 inch
Tapered Wells	The maximum taper on all thermowells is 16 inches +0.5 - 1.0.

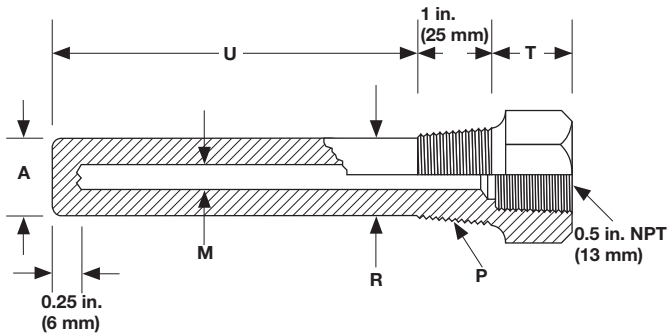
Specifications listed are for standard thermowells or for thermowells manufactured where no other specifications prevail.

Note: All accessories are subject to minimum purchase quantities.

Accessories

Thermowells

Threaded Type—Straight



Standard Bore Size: 0.260 inch

Standard Materials: 304 SS, 316 SS

Typical Dimensions

Process Conn. NPT P in.	A in.	M in.	R in.	T in.
1	$\frac{49}{64}$	0.260	$\frac{49}{64}$	$\frac{3}{4}$
$\frac{3}{4}$	$\frac{49}{64}$	0.260	$\frac{49}{64}$	$\frac{3}{4}$

Ordering Information

Part Number

①	②	③	④ ⑤	⑥	⑦	⑧	⑨	⑩	⑪	⑫	⑬	⑭	⑮
T	T'Well Style	Stem Config.	"U" Dim. (in.)	"U" Dim. (fract in.)	T'Well Material	Process Conn. Size "P"	Flange Rating	Flange Face Type	Flange Material	Lag "T" (in.)	Lag "T" (fract. in.)	Bore Dia. "M"	Special Options
T	T	S											

② Thermowell Style	
T =	Threaded

③ Stem Configuration	
S =	Straight

④ ⑤ "U" Dimension (in.)	
Whole inches: 02 to 22	

⑥ "U" Dimension (fractional in.)	
0 =	0
1 =	$\frac{1}{8}$
2 =	$\frac{1}{4}$
3 =	$\frac{3}{8}$
4 =	$\frac{1}{2}$
5 =	$\frac{5}{8}$
6 =	$\frac{3}{4}$
7 =	$\frac{7}{8}$

⑦ Thermowell Material	
A =	304
C =	316 SS

⑧ Process Connection Size "P" (in.)	
D =	$\frac{3}{4}$ NPT
E =	1 NPT

⑨ Flange Rating	
0 =	No flange

⑩ Flange Face Type	
0 =	No flange

⑪ Flange Material	
0 =	No flange

⑫ Lag "T" (in.)	
Whole inches: 0 to 9	

⑬ Lag "T" (fractional in.)	
0 =	0
1 =	$\frac{1}{8}$
2 =	$\frac{1}{4}$
3 =	$\frac{3}{8}$
4 =	$\frac{1}{2}$
5 =	$\frac{5}{8}$
6 =	$\frac{3}{4}$ - Industry Standard
7 =	$\frac{7}{8}$

⑭ Bore Diameter "M" (in.)	
A =	0.260

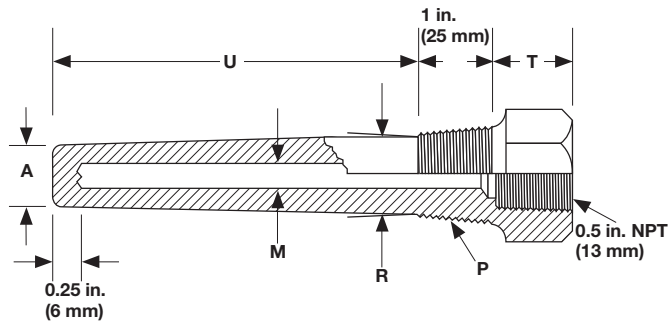
⑮ Special Options	
0 =	None

Note: All accessories are subject to minimum purchase quantities.

Accessories

Thermowells

Threaded Type – Tapered



Standard Bore Size: 0.260 inch

Standard Materials: 304 SS, 316 SS

Typical Dimensions

Process Conn. NPT P in.	A in.	M in.	R in.	T in.
1	$\frac{5}{8}$	0.260	$1\frac{1}{16}$	$\frac{3}{4}$
$\frac{3}{4}$	$\frac{5}{8}$	0.260	$\frac{7}{8}$	$\frac{3}{4}$

Ordering Information

Part Number

①	②	③	④ ⑤	⑥	⑦	⑧	⑨	⑩	⑪	⑫	⑬	⑭	⑮
T	T'Well Style	Stem Config.	"U" Dim. (in.)	"U" Dim. (fract in.)	T'Well Material	Process Conn. Size "P"	Flange Rating	Flange Face Type	Flange Material	Lag "T" (in.)	Lag "T" (fract. in.)	Bore Dia. "M"	Special Options
T	T	T											

② Thermowell Style	
T =	Threaded

③ Stem Configuration	
T =	Standard taper

④ ⑤ "U" Dimension (in.)	
Whole inches: 02 to 22	

⑥ "U" Dimension (fractional in.)	
0 =	0
1 =	$\frac{1}{8}$
2 =	$\frac{1}{4}$
3 =	$\frac{3}{8}$
4 =	$\frac{1}{2}$
5 =	$\frac{5}{8}$
6 =	$\frac{3}{4}$
7 =	$\frac{7}{8}$

⑦ Thermowell Material	
A =	304 SS
C =	316 SS

⑧ Process Connection Size "P" (in.)	
D =	$\frac{3}{4}$ NPT
E =	1 NPT

⑨ Flange Rating	
0 =	No flange

⑩ Flange Face Type	
0 =	No flange

⑪ Flange Material	
0 =	No flange

⑫ Lag "T" (in.)	
Whole inches: 0 to 9	

⑬ Lag "T" (fractional in.)	
0 =	0
1 =	$\frac{1}{8}$
2 =	$\frac{1}{4}$
3 =	$\frac{3}{8}$
4 =	$\frac{1}{2}$
5 =	$\frac{5}{8}$
6 =	$\frac{3}{4}$ - Industry Standard
7 =	$\frac{7}{8}$

⑭ Bore Diameter "M" (in.)	
A =	0.260

⑮ Special Options	
0 =	None

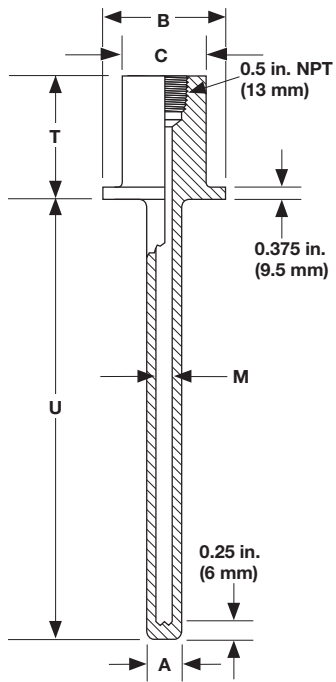
Note: All accessories are subject to minimum purchase quantities.

Accessories

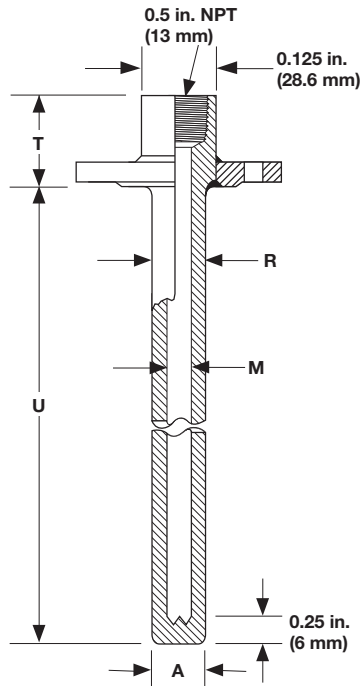
Thermowells

Other Available Thermowells

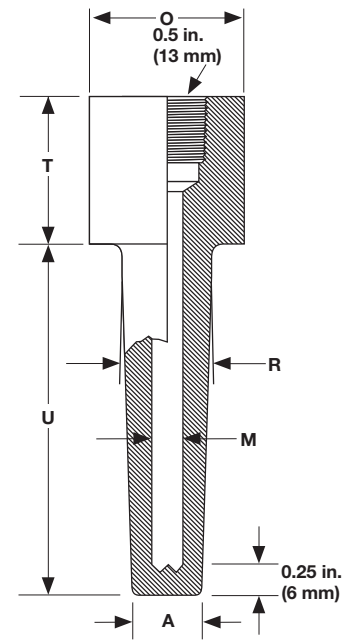
Van Stone Type (TVS)



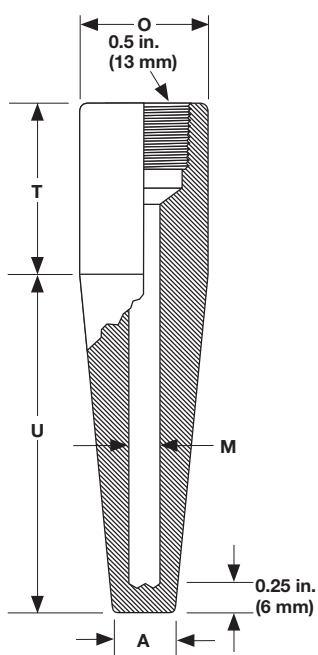
Welded Flange Well (TFS, TFT)



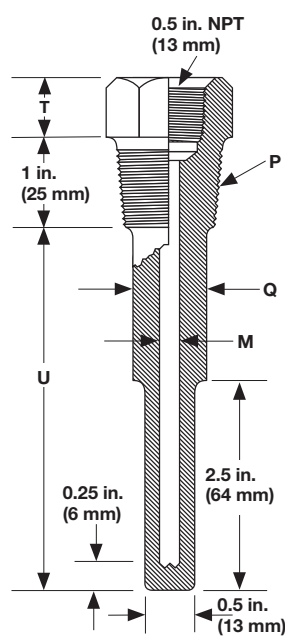
Socket Weld Type (TST)



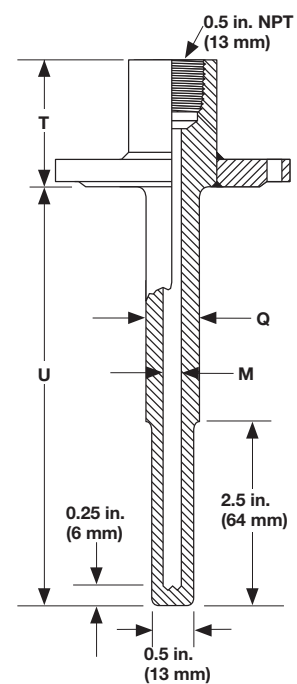
Weld-In Type (TWT)



Bimetallic Thermometer Wells-Threaded Type (TBD)



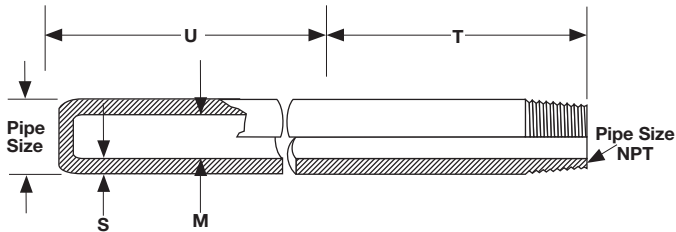
Bimetallic Thermometer Well-Flanged Type (TFD)



Accessories

Thermowells

Pipe Type



Standard Materials: 316 SS, Black Steel, 446 SS and Alloy 601

Ordering Information

Part Number

①	②	③	④ ⑤	⑥	⑦	⑧	⑨	⑩	⑪	⑫	⑬	⑭	⑮
P	Pipe Size	N Pipe Size "S"	"U" Dim. (in.)	0	Pipe Material	0	0	0	0	0	0	0	0

② Pipe Size (in.)	
C =	1/2
D =	3/4
E =	1

③ Pipe Type "S"	
N =	Schedule 40

④ ⑤ "U" Dimension (in.)	
Whole inches: 12 to 72	

⑥ "U" Dimension	
0 =	0

⑦ Pipe Material	
C =	316 SS
G =	Black steel
K =	446 SS
W =	Alloy 601

Dimensions of Schedule 40 Pipe

Nominal Pipe Size	O.D.	Wall Thickness
1/2	0.840	0.109
3/4	1.050	0.113
1	1.315	0.133

Note: All accessories are subject to minimum purchase quantities.

Accessories

Protection Tubes

Both ceramic and metal (pipe type) protecting tubes protect the temperature sensor from harsh environments. Unlike thermowells, they are not primarily designed for pressure tight applications. Protection tubes are often used in heat treatment furnaces, ovens, open container, flues and ducts.

Protecting tube construction styles are more limited than thermowells. The tubes offer the advantages of economy, corrosion resistance and, in some cases, higher temperature capabilities.

Protecting Tube Application Data

Material	Grade	Max. Use Air	Flexural Strength (X10 ³ psi)	Thermal Conduct. W/m.K 1475°K	Thermal Shock Resistance	Remarks	Typical Applications
Hexoloy SA®	Sintered	3000°F (1650°C)	67	54.0	Excellent	Maintains strength to 3002°F (1650°C), exceptional corrosion resistance, does not creep, attacked by halides, fused caustics and ferrous metals	Incineration, molten aluminum and non-ferrous metals, flue gas, hydrofluoric and sulfuric acids, bauxite calcining
Silicon Carbide	Oxide Bonded	3000°F (1650°C)		15-20	Good	Permeable	Non-ferrous metals
Alumina	99.9%	3450°F (1900°C)	50	6.3	Fair—preheating to 900°F (482°C) recommended	Creeps (sags) at 3452°F (1900°C) ferrous metals, dry H ₂	Barium, crown glass; non-ferrous metals; gas-tight protection for noble metal thermocouples in excess of 2400°F (1316°C)
	96%	3100°F (1700°C)	49	5.4	Same as above	Creeps at 3452°F (1900°C)	
Mullite	—	3100°F (1700°C)	12	2.1	Poor—must be preheated to 900°F (482°C)	Creeps at 3092°F (1700°C), attacked by halides—contains silica	Non-ferrous metals; gas-tight protection for base metal thermocouples to 2400°F (1316°C)
Metal Ceramic	LT-1	2500°F (1400°C)	45	29.0 (R.T.)	Must be preheated to 900°F (482°C) before immersion into molten metal at 1999°F (1093°C) or higher	Not recommended in carburizing, nitrogen atmospheres, high vacuum or in molten aluminum	Molten non-ferrous metals; calcining kilns, oxidizing atmospheres up to 2552°F (1400°C)
Coated Protection Tubes (SERIES 1100)		1400°F (760°C)			Excellent	Do not exceed 1400°F (760°C)	Molten aluminum, zinc and galvanizing; maximum operating temperature 1373°F (745°C)

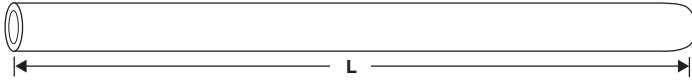
Note: Please contact the factory for other mounting fittings availability.

Note: All accessories are subject to minimum purchase quantities.

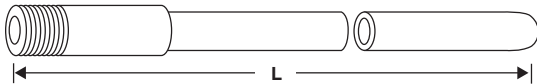
Accessories

Protection Tubes

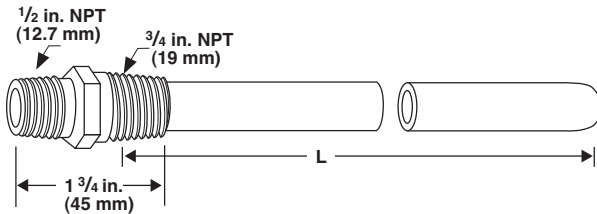
Ceramic Protecting Tubes



Mullite or Alumina Protecting Tube, Plain End



Mullite or Alumina Protecting Tube with TH-43 or TH-50 Ferrule



Mullite or Alumina Protecting Tube with TH-190 or TH-191 Fitting (3/8 inch of Tube Enters Fitting)

Mullite Protecting Tubes

Part No.	I.D. X O.D. in.	Construction	Length in.
1152-	1/4 x 3/8	Plain end	12, 18, 24, 30, 36, 42, 48
1153-	7/16 x 1/4	Plain end	
1155-	3/4 x 1	Plain end	
1152-N-	1/4 x 3/8	With TH-50 ferrule 7/8 - 27 threads	
1153-N-	7/16 x 1/4	With TH-43 ferrule 7/8 - 27 threads	
1153-190-	7/16 x 1/4	With TH-190 1/2 x 3/4 in. brass	
1153-191-		With TH-191 1/2 x 3/4 in. steel	

Order - Part No. Code - Length

Example: 1152-12, 1152-N-12, 1153-191-24

Alumina (99% Minimum Purity) Protecting Tubes

Part No.	I.D. X O.D. in.	Construction	Length in.
1146	1/4 x 3/8	Plain end	12, 18, 24, 30, 36, 42
1147	7/16 x 1/4	Plain end	12, 18, 24, 30, 36, 42, 48
146-N	1/4 x 3/8	TH-50 ferrule 7/8-27 threads	12, 18, 24, 30, 36, 42
1147-N	7/16 x 1/4	TH-43 ferrule 7/8-27 threads	12, 18, 24, 30, 36, 42
1147-190	7/16 x 1/4	With TH-190 1/2 x 3/4 in. brass	12, 18, 24, 30, 36, 42, 48
1147-191	7/16 x 1/4	With TH-191 1/2 x 3/4 in. steel	12, 18, 24, 30, 36, 42, 48

Dimension tolerance: Up to one inch, ±5 percent or 0.025 inch, whichever is greater; over one inch, ±4 percent or 0.050 inch, whichever is greater.

Order - Part No. Code - Length

Example: 1146-18, 1146-N-36, 1147-190-30

Note: All accessories are subject to minimum purchase quantities.

Accessories

Protection Tubes

Coated Protection Tubes for Molten Aluminum, Zinc and Galvanizing Applications

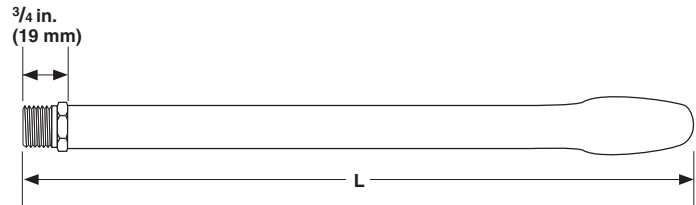
SERIES 1100 Protection Tube

With a tough refractory laminated coating, SERIES 1100 protecting tubes resist erosion from molten aluminum, zinc or galvanizing baths. They stay strong, even at high temperatures and require no washing or maintenance to prolong their service life. A special protective cap at the tip provides fast response time, permitting thermal expansion without damage to the refractory laminate.

The 0.493 inch I.D. easily accommodates up to an 8-gauge beaded thermocouple and is stocked for immediate shipment. The maximum operating temperature for the SERIES 1100 is 1400°F (745°C).

Order - Part No. Code - Length

Example: 1100-24



Part No.	I.D. in.	Nominal O.D. in.	Fitting in.	Tube Length in.
1100	0.493	1 1/2 Max.	3/4 NPT	12, 18, 24, 30, 36, 42, 48

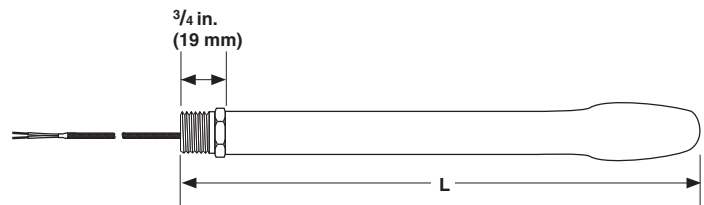
SERIES 1101 Protection Thermocouple

Watlow's SERIES 1101 protected thermocouple assemblies incorporate a mineral-insulated stainless steel sheathed XACTPAK® thermocouple hermetically sealed within a refractory laminated SERIES 1100 protection tube. Standard calibration is Type K (part no. 402-2107), complete with 36 inches of high temperature insulated thermocouple wire.

As with the SERIES 1100 protection tube, the SERIES 1101 assembly requires no washing or maintenance to prolong its service life. It delivers fast, accurate readings in molten aluminum, zinc and galvanizing baths.

Order - Part No. Code - Length

Example: 1101-12



Part No.	Calibration	Nominal O.D. in.	Fitting in.	Lead Length in.	Tube Length in.
1101	K	1 1/2 Max.	3/4 NPT	36	12, 18, 24, 30, 36

Note: All accessories are subject to minimum purchase quantities.

Accessories

Protection Tubes

Hexoloy SA® Tubes

Physical Properties of Hexoloy® Materials— Technical Data



Typical Values	Hexoloy® Grade
Physical Properties	SA
Composition* (Phases)	SiC
Density kg/m ³ (g/cm ³)	3100 (3.10)
Hardness-Knopp (Kg/mm ²)	2800
Flexural Strength 4 pt. @ RT** MPa (x 103 lb/in ²)	460 (67)
Flexural Strength 3 pt. @ RT** MPa (x 103 lb/in ²)	550 (80)
Compressive Strength RT MPa (x 103 lb/in ²)	3900 (560)
Modulus of Elasticity RT GPa (x 106 lb/in ²)	410 (59)
Weibull Modulus (2 Parameter)	10
Poisson Ratio	0.14
Fracture Toughness @ RT Double Torsion and SENB MPa/√m (x 103 lb/in ² /√in)	4.60 (4.20)
Coefficient of Thermal Expansion 68°-1,292°F (RT-700°C) x 10 ⁻⁶ mm/mmK (x 10 ⁻⁶ in/in°F)	4.02 (2.20)
Maximum Service Temp. (Air) °C (°F)	1650 (3000)
Mean Specific Heat @ RT (J/gm K)	0.67
Thermal Conductivity @ RT W/m K (BTU/ft h °F)	125.6 (72.6)
Thermal Conductivity 200°C W/m K (BTU/ft h °F)	102.6 (59.3)
Thermal Conductivity 400°C W/m K (BTU/ft h °F)	77.5 (44.8)
Electrical Resistivity ^① RT, ohm-cm 1000°C, ohm-cm	0.2 to 300 ^① 0.01 to 0.2 ^①
Emissivity	0.9
Max Warpage	0.005/inch

* Composition code: Si = Free Silicon Metal;
C = Free Graphite; SiC = Silicon Carbide;
TiB = Titanium Diboride

** Test Bar Size: ½ x ¼ x 2 inch (3.2 x 6.4 x 50.8 mm), Outer Span = 1.5 inch;
Inner Span = 0.75 inch

① Dependent upon dopants in Hexoloy SA® SiC which will decrease electrical resistivity to a desired range

How to Order

To order, specify the following part numbers and lengths required for your application.

Order - Part No. Code - Length

Example: 1040-12

Cemented mounting fittings are available for most tubes. Contact the factory or your local Watlow sales representative or distributor for information.

Part No.	O.D./I.D. in.	Lengths in.
1040	½ x ¼	6, 12, 18, 24
1041	¾ x ¾	
1042	¾ x ½	

Tubes with Optional Mounting Fittings

Tube Part No.	Head Mount	Process Mount	Fitting Description	Lengths in.
1040-L	½ NPT	½ NPT	Cemented hex nipple	6, 12,
1041-M	¾ NPT	¾ NPT	Cemented hex nipple	18, 24
1042-P	¾ NPT	¾ NPT	Cemented hex nipple	

Example: 1041-M-24 is a ¾ x ¾ inch Hexoloy® tube 24 inches long with a single ¾ inch NPT cemented hex fitting.

Note: The maximum recommended temperature rating for cemented fittings is 1000°F (538°C) continuous.

Note: All accessories are subject to minimum purchase quantities.

Accessories

Connectors

Many varieties of thermocouple connectors are available from Watlow. Watlow's broad offering includes benefits such as high impact strength, fast installation and high temperature capabilities.

Listed below are the various connectors and systems from which to choose:

- Standard thermocouple connectors
- Quick-attach thermocouple connectors
- High temperature connectors
- Three-pole connectors for RTD applications
- Miniature thermocouple connectors

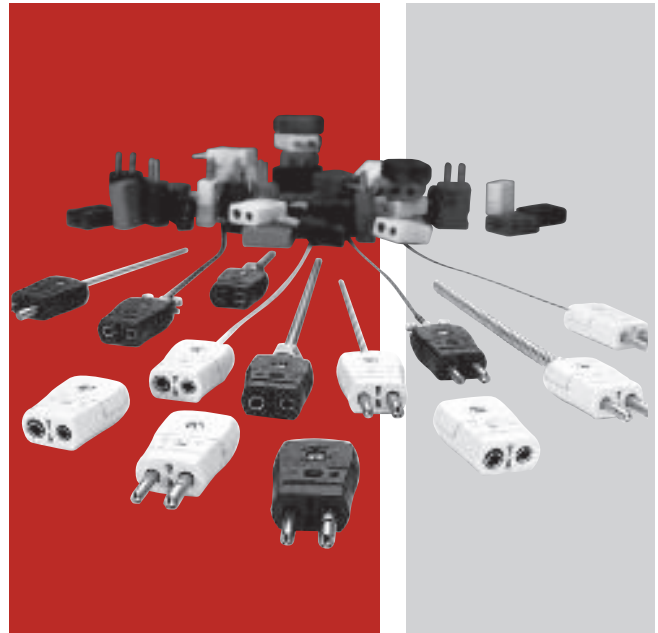
Watlow's standard line of connectors are lightweight, rugged and accurate and feature a clamping mechanism that is unique in the industry.

This easy-to-use clamping connection will replace traditional screw and wire wrap. This device allows a straight-in application, which squeezes the wire and forms a tight connection assuring a clean, strong signal.

Applications and Technical Data

To eliminate measuring errors, all Watlow connectors are made exclusively of matching metal alloys. If the connector material has different thermal electromagnetic field (EMF) characteristics from the thermocouple or lead wire, a uniform temperature must be maintained across the connector, which is not always easily achievable or practical.

If a temperature gradient exists across the connector made with a third metal, unwanted EMFs generate between the thermoelectric materials and the connector extremities causing an error to occur at the thermocouple output. The larger the gradient, the larger the error. In some instances, depending on the calibration, net errors may occur that are even larger than the gradient.



Features and Benefits

ASTM color coded

- Ensures easy identification

Compensated alloys

- Provides accuracy in readings

Glass-filled thermoplastic

- Provides high impact strength

Captive cap screws

- Ensures a secure connection

Connection hardware

- Eliminates several components

Meets requirements for ASTM E1129

- Ensures adequate pin spacing, dimensions and contact resistance

Rated to 425°F (215°C)

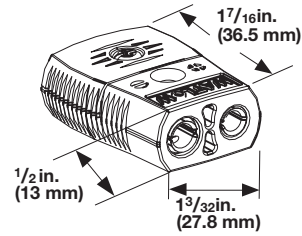
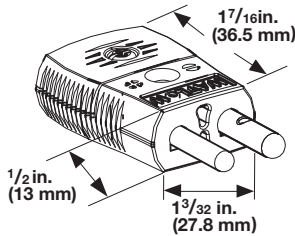
- Fits high-temperature applications

Note: All accessories are subject to minimum purchase quantities.

Accessories

Connectors

“S” SERIES Standard Connectors, 425°F (215°C)



Ordering Information

Part Number

① ②	③	④	⑤	⑥ ⑦	
SC		Style	Calibration	Name Plate	Color Code

③ Style	
M =	Male (plug)
F =	Female (jack)

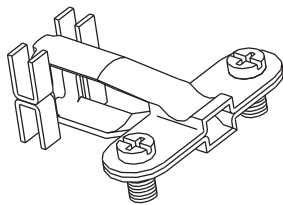
④ Calibration	
E =	Type E
J =	Type J
K =	Type K
S =	Type S / Type R
T =	Type T
U =	Uncompensated

⑤ Name Plate	
W =	With Watlow name
N =	Without name label (For J and K calibration only)

⑥ ⑦ Color Code	
AT =	ASTM E 230 color code

Cable Clamp Style for Male or Female

Part Number: **SAC-220**

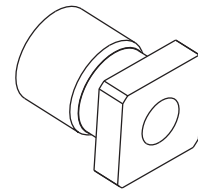


Crimp/Brass Style

Ordering Information

Part Number

① ② ③	④ ⑤ ⑥	
SAB		Style



④ ⑤ ⑥ Style	
040 =	0.040 in.
063 =	0.063 in.
090 =	0.090 in.
125 =	0.125 in.
188 =	0.188 in.
250 =	0.250 in.
30M =	3.0 mm
60M =	6.0 mm

Note: All accessories are subject to minimum purchase quantities.

Accessories

Connectors

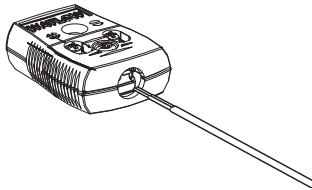
Quick-Attach Thermocouple Connectors, 425° F (215°C)

Watlow's time-saving thermocouple connectors are quick and convenient to use because there are no loose parts and there is no need to remove caps or wrap wires around terminal screws. Stripped wire ends are simply inserted into a plug or jack then tightened with two terminal screws.

Thermocouple connectors accept solid or stranded wires up to 16 gauge, are available in Type J, K and T calibrations and are ASTM E 230 color-coded. The connector is made with high-impact strength, 425°F (215°C) rated glass filled thermoplastic with matching thermocouple materials. Other features and specifications are identical to standard Watlow "S" SERIES quick-disconnect connectors.

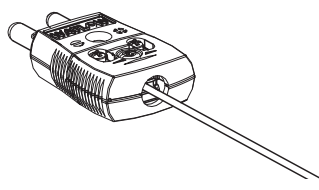
Step 1.

Simply insert stripped wires into connector.



Step 2.

Tighten two terminal screws.



Ordering Information

Part Number

① ②	③	④	⑤	⑥ ⑦	⑧ ⑨ ⑩ ⑪
SK	Style	Calibration	Name Plate	Color Code	Assembly
			W	AT	ASSY

③ Style	
M =	Male (plug)
F =	Female (jack)

④ Calibration	
J =	Type J
K =	Type K
T =	Type T

⑤ Name Plate	
W =	With Watlow name

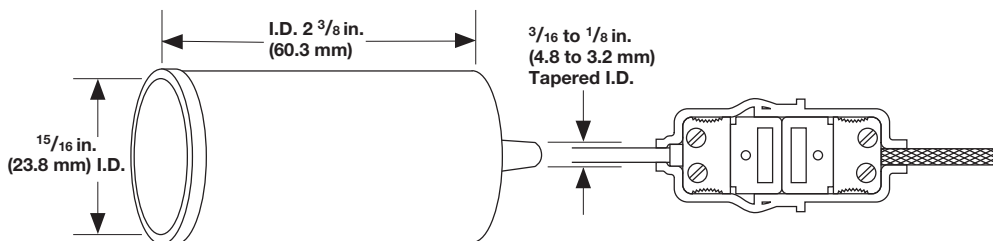
⑥ ⑦ Color Code	
AT =	ASTM E 230 color code

⑧ ⑨ ⑩ ⑪ Assembly	
ASSY =	Comes with cap assembly on body

Weather Resistant Boots

Used in pairs as illustrated, these flexible neoprene rubber boots add moisture protection to standard plug-to-jack connections.

Part No. 943



Note: All accessories are subject to minimum purchase quantities.

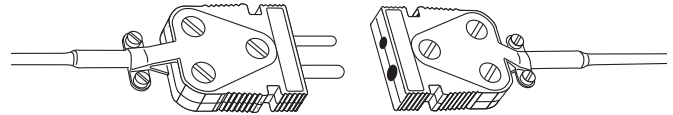
Accessories

Connectors

High-Temperature Connectors 1000°F (540°C)

The ASTM E 230 color-coded bodies of these high temperature ceramic connectors are practical for temperatures up to 1000°F (540°C). Colors are permanent and will not fade even after exposure to temperature. The positive-locking screw type terminals are captive for easy assembly. Solid plug pins and collet inserts are made of thermocouple alloys (except Type R/S which is compensated).

Calibration must be specified when ordering. Both plug and jack are marked for polarity and standard $\frac{7}{16}$ inch pin spacing.



Part Number	Description
912-*	Ceramic plug (specify calibration J, K, R/S or E)
913-*	Ceramic jack (specify calibration J, K, R/S or E)
925-125	XACTPAK adapter for plug or jack (0.125 inch sheath O.D.)
925-188	XACTPAK adapter for plug or jack (0.188 inch sheath O.D.)
925-250	XACTPAK adapter for plug or jack (0.250 inch sheath O.D.)
926	Cable clamp for ceramic plug or jack

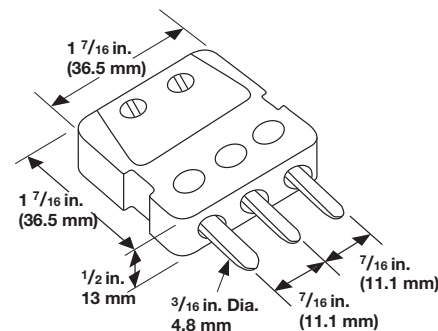
*Insert calibration letter for full part number 912-J

Three-Pole Connectors for RTD Applications, 400°F (200°C)

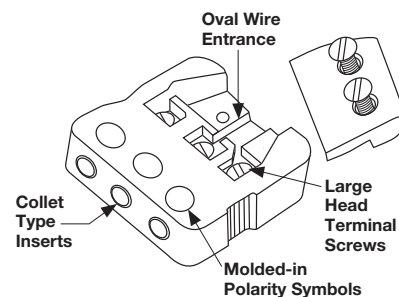
- Three pins to accommodate most RTD sensor applications
- Rated up to 400°F (200°C) continuous
- Jacks have spring-loaded inserts for positive contact
- Larger diameter negative pin prevents user from reversing polarity

Part Number	Description
TH-335	3-pole connector plug with copper pins
TH-336	3-pole connector jack with copper inserts
TH-337-125	Compression-type adapter for 0.125 inch tube
TH-337-188	Compression-type adapter for 0.188 inch tube
TH-337-250	Compression-type adapter for 0.250 inch tube
80701201	Cable clamp for 3-pole connector

Plug



Jack



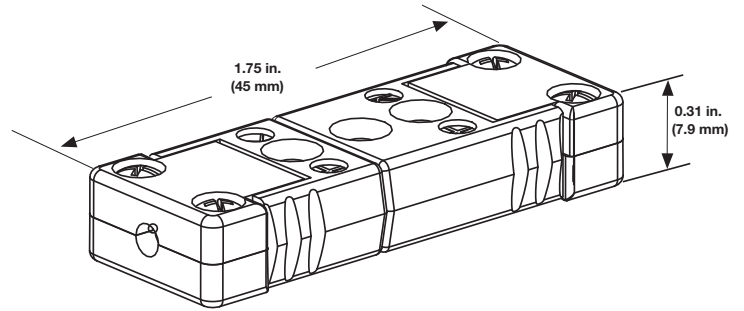
Note: All accessories are subject to minimum purchase quantities.

Accessories

Connectors

Miniature Thermocouple Connector System, 400°F (200°C)

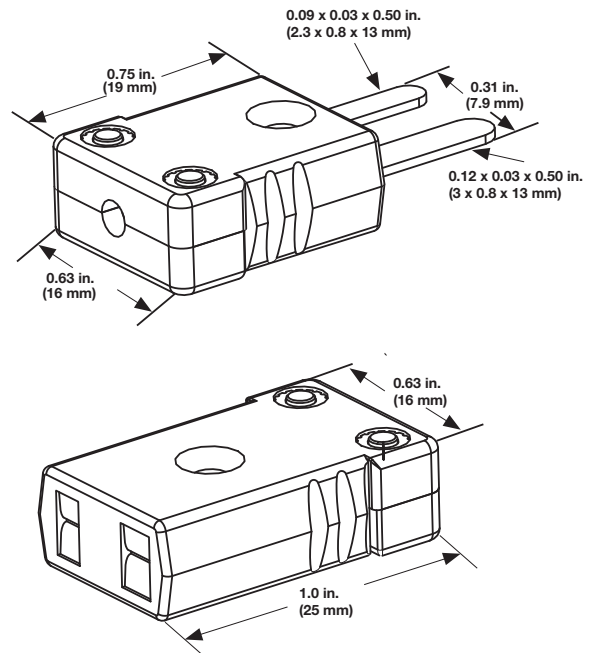
- Miniature design enables mating with other miniature size thermocouple connectors
- Molded-in pin contacts ensure precise alignment (no loose, wobbly parts)
- Rugged, high quality, high performance connectors
- Matching thermocouple alloy materials
- Available in all standard calibrations and copper-copper, ASTM E 230 color-coded
- Exclusive channel design isolates wires for clean, strong signals



Connection Method

Stripped ends of thermocouple wire are simply inserted between the contact base and washer, then tightened with two terminal screws, there are no loose parts. Connectors do not need to be wrapped around terminal screws.

Watlow miniature connectors can accommodate wire sizes from 0.001 inch diameter up to 24 AWG, stranded. The connector is made with high impact strength, 400°F (200°C) rated, glass-filled thermoplastic. To maintain the highest measurement accuracy, matching thermocouple alloy materials are used throughout. The same fine features and high quality performance characteristics found in Watlow's standard connectors are found in the miniature connectors.

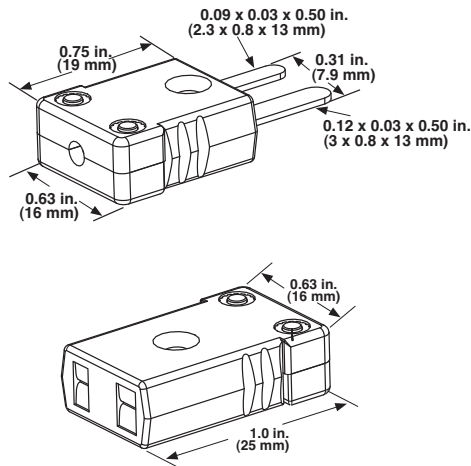


Note: All accessories are subject to minimum purchase quantities.

Accessories

Connectors

Miniature Thermocouple Connector System,
400°F (200°C)



Ordering Information

Part Number

①	②	③	④	⑤	⑥	⑦
MC		Style	Calibration	Name Plate	Color Code	
					AT	

③ Style	
M =	Male (plug)
F =	Female (jack)

④ Calibration	
E =	Type E
J =	Type J
K =	Type K
N =	Type N
R =	Type R
S =	Type S
T =	Type T
U =	Uncompensated

⑤ Name Plate	
W =	With Watlow name
N =	Without name label

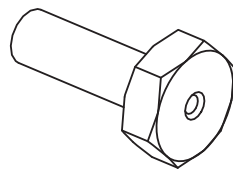
⑥ ⑦ Color Code	
AT =	ASTM E 230 color code/uncompensated = white

Crimp Style

Ordering Information

Part Number

①	②	③	④	⑤	⑥
MBC			Sheath Size		



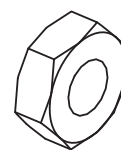
④ ⑤ ⑥ Sheath Size	
040 =	0.040 in.
063 =	0.063 in.

Brass Style

Ordering Information

Part Number

①	②	③	④	⑤	⑥
MBB			Sheath Size		



④ ⑤ ⑥ Sheath Size	
040 =	0.040 in.
063 =	0.063 in.
125 =	0.125 in.

Note: All accessories are subject to minimum purchase quantities.

Accessories

Connectors

Single Panel Mount Hardware, 425°F (218°C)

Designed for use with Watlow's "S" standard thermocouple connectors, these units fit panels up to $\frac{7}{16}$ inch thick. Panel cutout: $1\frac{1}{8}$ inch to $1\frac{5}{32}$ inch hole. Units fit into standard $\frac{3}{4}$ inch knockouts.

Ordering Information

Part Number

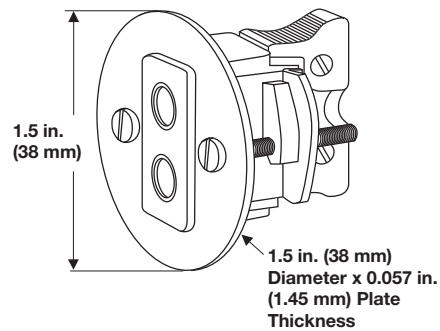
① ② ③	④	⑤	⑥ ⑦
	Calibration	Name Plate	Color Code
SKP			

④	Calibration
J	Type J
K	Type K
T	Type T

⑤	Name Plate
W	With Watlow name

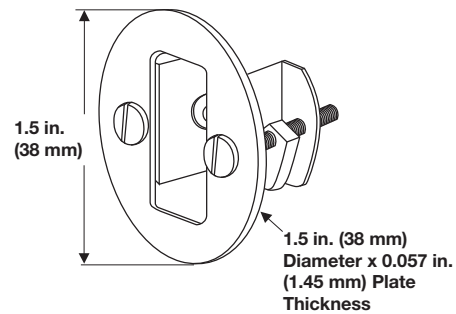
⑥ ⑦	Color Code
AT	ASTM E 230 color code/uncompensated = white

SKP Style



Single circuit panel mount with quick-disconnect jack included. Available calibrations J, K, T, R/S and Cu/cu.

SNP Style



Panel mount hardware only without Watlow name.

Note: All accessories are subject to minimum purchase quantities.

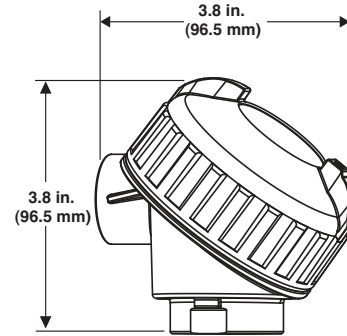
Accessories

Connection Heads and Blocks

Standard Thermocouple Connection Heads

(Assembly ordering options D or E)

Watlow's standard heads are made of cast iron or aluminum. A plated chain attaches the gasketed cover to the body. Flats are provided for tightening. The connector block, held in place with two screws, can be single, duplex or triplex. These heads have 1, $\frac{3}{4}$ or $\frac{1}{2}$ inch NPT openings for protecting tubes or drilled wells. The conduit outlet is $\frac{3}{4}$ inch NPT. Epoxy coating is available on the aluminum head. Maximum operating temperature is 825°F (441°C).

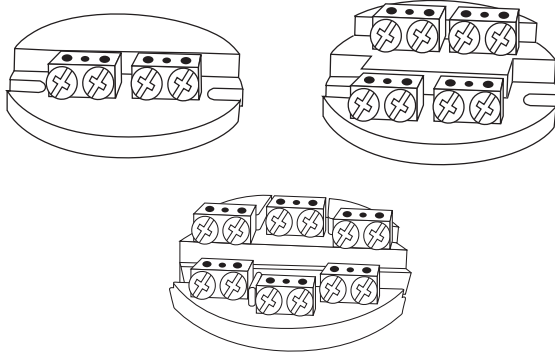


Approximate Assembled Dimensions:
3.8 in. (96.5 mm) H x 3.8 in. (96.5 mm) L x
3.8 in. (96.5 mm) W

Cast Iron Head Only Part No.	Aluminum Head Only Part No.	Sensor Opening (NPT) in.	Conduit Connection in.
70900201	—	1	$\frac{3}{4}$
70900202	—	$\frac{3}{4}$	$\frac{3}{4}$
70900203	70900301*	$\frac{1}{2}$	$\frac{3}{4}$

*Available with epoxy coating (70900302)

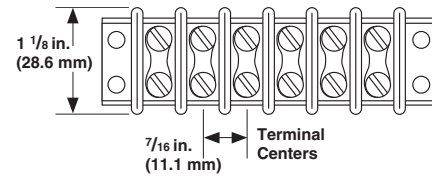
Terminal Blocks for Standard Connection Heads



Part No.	Description
50500401	Single element, max. operating temperature 1000°F (540°C)
50500501	Dual, max. operating temperature 1000°F (540°C)
50500601	Triplex, max. operating temperature 1000°F (540°C)

Note: All accessories are subject to minimum purchase quantities.

Barrier Type Terminal Strips



Standard barrier type terminal strips made of molded phenolic blocks with nickel plated brass terminals are available with two to 18 terminals and a temperature range of -55 to 300°F (-48 to 149°C). Terminal strips using thermocouple material also are available. **Note:** Two terminals required for each thermocouple.

Ordering Information:

Specify 4201- _____ **-BR**

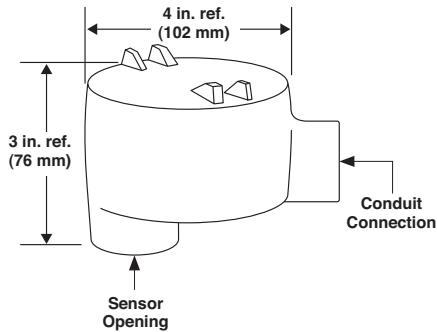
Insert the number of terminals desired (02 to 18) in the blank. For terminals of thermocouple material, insert thermocouple calibration symbol in place of BR (K, J, E, T and R/S). Terminal strips then will be supplied with alternate positive and negative strips.

Accessories

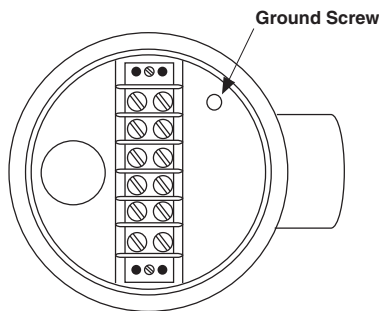
Connection Heads and Blocks

Explosion Proof Thermocouple Connection Heads

(Assembly ordering option H)



Approximate Assembled Dimensions:
4 in. H x 2 1/4 in. L x 3 in. W



XP Head Shown with TH-615 Block

Part No.	Sensor Opening in.	Conduit Connection in.
XP-11	3/4	3/4
XP-12	1/2	3/4

For hazardous locations. Underwriter's Laboratories Listed Class 1, Groups C, D; Class 2, Groups E, F, G; Class 3, all Groups.

All XP explosion-proof heads use a TH-615 (six terminal) block.

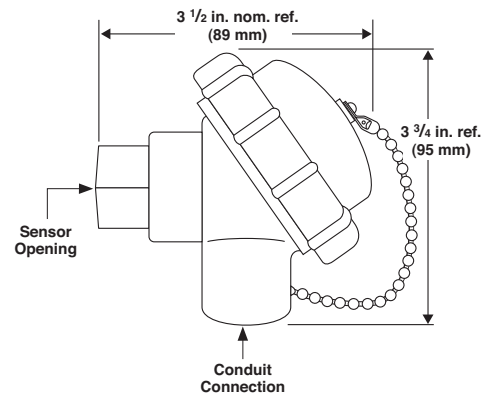
Order separately.

Also approved for CSA Class I, Groups C and D; Class II, Groups E and F; and Class III.

PT Polypropylene Head and Connector Blocks

(Assembly ordering option C)

The polypropylene head is the answer to many of the corrosion problems facing connection heads. The U.V. stabilized polypropylene head is impervious to practically all corrosive media and is rated for continuous operation up to 220°F (105°C). The PT-20 and PT-30 are colored black and the RT-30-WHT is white.



PT Polypropylene Heads

Part No. Head Only	Sensor Opening in.	Conduit Connection in.
PT-20	1/2	1/2
PT-30	1/2	3/4
RT-30-WHT	1/2	3/4

Terminal Blocks for PT Heads

Part No.	Description
50500701	Single element block
50500801	Dual element block

Note: All accessories are subject to minimum purchase quantities.

Accessories

Transmitters

SERIES 5750

The SERIES 5750 temperature transmitter from Watlow® offers remarkably accurate temperature measurement and improves reliability to reduce downtime and costs.

The SERIES 5750 offers new measurements with resistance temperature detectors (RTDs) in 3 and 4-wire connections. It is designed to fit directly inside connection heads type DIN B or larger.

The transmitter is programmed using a separate connection cable and an easy-to-use Windows®-based software program configures the transmitter in seconds.

The SERIES 5750 provides linearization between temperature sensor input signals and the 4-20 mA output signal to ensure accurate temperature measurements across a broad range.

Contact Watlow's customer service department to integrate this transmitter into a Watlow Style AR or AT thermocouple sensor or with a Style RR or RT RTD sensor.



Features and Benefits

Accepts 3 and 4-wire RTD and thermocouple sensor inputs

- Standardizes transmitter for various sensors and applications

Designed for harsh conditions

- Withstands high vibration and high humidity applications

Sensor error compensation function

- Provides convenience for adjusting the sensor/transmitter combination, or the transmitter alone, ensuring accurate temperature measurement within a specific range

Large center hole and robust terminals with test connections and low height

- Enables easy mounting

Configuration without external power

- Allows configurations to be edited or read offline by connecting to a personal computer (PC) universal serial bus (USB) port

Easy-to-use Windows® configuration software

- Parameters such as sensor type, measuring range, filter activation, cold junction compensation, sensor failure and error corrections are set in one window

Note: All accessories are subject to minimum purchase quantities.

Accessories

Transmitters

SERIES 5750

Specifications

Input RTD

- Pt100 (IEC 60751, $\alpha = 0.00385$)
-328 to +1832°F (-200 to +1000°C)
- Pt100 (JIS C 1604, $\alpha = 0.003916$)
-328 to +1832°F (-200 to +1000°C)
- Pt1000 (IEC 60751, $\alpha = 0.00385$)
-328 to +392°F (-200 to +200°C)
- 3-, 4-wire connection
- Sensor current ~ 0.4mA
- Max. sensor wire resistance 25Ω/wire

Input Thermocouples

- Range Type: B, C, E, J, K, N, R, S, T
- Max. sensor wire resistance 500Ω (total loop)

Monitoring

- Sensor failure monitoring upscale or downscale action

Adjustments

- Zero adjustments for all inputs at any value within temperature range limits
- Min. spans: Pt input 18°F (10°C)
T/C 2mV

Output

- Analog 4-20mA, temperature linear
- Resolution 5μA
- Min. output signal measurement/failure 3.8mA/3.5mA
- Max. output signal measurement/failure 20.5mA/21.6mA
- Permissible load, see load diagram 725Ω @ 24VDC

Temperature

- Ambient, storage and operation
-40 to +185°F (-40 to +85°C)

General Data

- Selectable dampening time ~ 2s
- Update time ~ 1.5s
- Isolation in - out non-isolated
- Humidity 0 to 100% RH
- Vibration acc. to IEC 60068-2-6, test Fc,
60-500Hz, 10g
- Output limitations and fail currents are NAMUR compliant

Power Supply

- Polarity protected
- Supply voltage 8 to 32VDC
- Permissible ripple 4V p-p @ 50/60Hz

Accuracy

- Linearity RTD $\pm 0.1\%$ ^①
T/C $\pm 0.2\%$ ^①
- Calibration RTD max. of $\pm 0.4^\circ\text{F}$ / $\pm 0.2^\circ\text{C}$ or $\pm 0.1\%$ ^①
T/C max. of $\pm 20\mu\text{V}$ or $\pm 0.1\%$ ^①
- Cold junction compensation (CJC) T/C $\pm 0.9^\circ\text{F}$ ($\pm 0.5^\circ\text{C}$)
- Temperature influence^③ All inputs max. of $\pm 0.25^\circ\text{C}/25^\circ\text{C}$ or $\pm 0.25\%/25^\circ\text{C}$ ^{① ②}
- Max. of $\pm 0.5^\circ\text{F}/50^\circ\text{F}$ or $\pm 0.28\%/50^\circ\text{F}$ ^{① ②}

Housing

- Material, Flammability (UL[®]) PC/ABS + PA, V0
- Mounting DIN B-head or larger, DIN rail (with mounting kit)
- Connection single/stranded wires max. 1.5 mm², AWG 16
- Weight 32g
- Protection, housing / terminals IP 65/IP 00

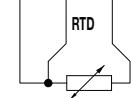
① Of input span

② If zero-deflection >100% of input span: add 0.125% of input span/
25°C or 0.14% of input span/50°F per 100% zero-deflection

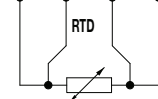
③ Reference temperature 68°F (20°C)

Input Connections

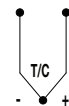
RTD
• 3-wire connection



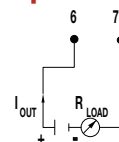
RTD
• 4-wire connection



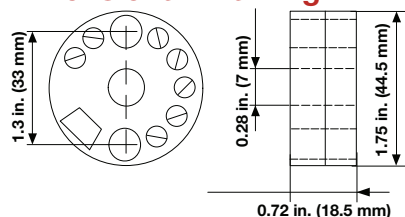
Thermocouple



Output Connections



Dimensional Drawing



Note: All accessories are subject to minimum purchase quantities.

Accessories

Transmitters

SERIES 5750

Ordering Information

Part Number

① ② ③ ④	⑤	⑥	⑦ ⑧ ⑨	⑩	⑪ ⑫ ⑬ ⑭	⑮
SERIES	Sensor Type	Low Temp. Sign	Low Temp.	High Temp. Sign	High Temp.	Unit of Measure
5750						

④	SERIES
5750	= Linearized T/C or RTD

⑤	Sensor Type
B	= Type B T/C
C	= Type C T/C
E	= Type E T/C
J	= Type J T/C
K	= Type K T/C
N	= Type N T/C
R	= Type R T/C
S	= Type S T/C
T	= Type T T/C
0	= PT100 (IEC 60751, $\alpha = 0.00385$) 3-wire
1	= PT100 (JIS C 1604, $\alpha = 0.003916$) 3-wire
2	= PT100 (IEC 60751, $\alpha = 0.00385$) 4-wire
3	= PT100 (JIS C 1604, $\alpha = 0.003916$) 4-wire
4	= PT1000 (IEC 60751, $\alpha = 0.00385$) 3-wire
5	= PT1000 (IEC 60751, $\alpha = 0.00385$) 4-wire

⑥	Low Temperature Sign
	Enter + or - sign

⑦ ⑧ ⑨	Low Temperature
	Enter lower limit temperature required

⑩	High Temperature Sign
	Enter + or - sign

⑪ ⑫ ⑬ ⑭	High Temperature
	Enter higher limit temperature required

⑮	Unit of Measure
	Enter °F or °C

Program cable and software part #5750-CABLE (required for optional future changes)

Note: All accessories are subject to minimum purchase quantities.

Accessories

Transmitters

SERIES 5900 (Isolated)

Watlow's SERIES 5900 temperature transmitter delivers remarkably accurate temperature measurement and improves reliability to reduce downtime and costs.

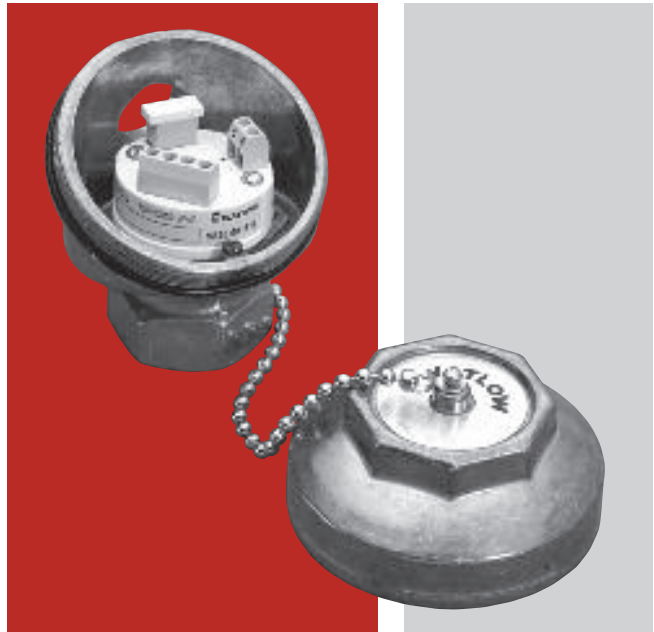
The 5900 SERIES two-wire signal conditioner uses surface mount and digital technology with non-volatile memory. It is designed to fit directly into universal aluminum or universal iron connection heads with a separate mounting kit.

The transmitter is programmed using a separate connection cable and an easy-to-use Windows®-based software program. There is no need to use a separate thermocouple/RTD calibrator or individual resistors.

The SERIES 5900 is isolated to 1500VAC and features full linearization between temperature sensor input signal and the 4-20mA output signal. Isolated transmitters provide isolation from input to output thus eliminating ground loops and signal integrity.

Additional options include insulation resistance monitoring between sensor and ground to prevent inaccurate measurements due to insulation breakdown.

Contact Watlow's customer service department to integrate this transmitter into a Watlow Style AR or AT thermocouple sensor or a Watlow Style RR or RT RTD sensor.



Features and Benefits

Full temperature to thermocouple signal linearization throughout the complete operation temperature span

- Ensures signal accuracy

Full isolation from input to output

- Eliminates ground loops for high data integrity

Fits directly into connection head

- Easy to install

Programmable

- Ensures greater convenience for future changes and inventory efficiency

User selectable input types

- Thermocouple calibration Types B, C, E, J, K, N, R, S and T; RTD Pt100 and Pt1000 including four-wire

Optional insulation resistance monitoring

- Prevents inaccurate measurements due to insulation breakdown

CE marked

- Compliant to electromagnetic interference

Note: All accessories are subject to minimum purchase quantities.

Accessories

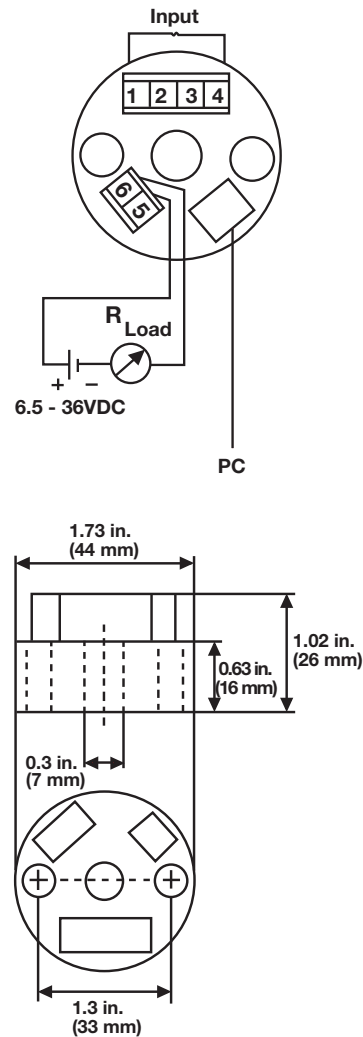
Transmitters

SERIES 5900 (Isolated)

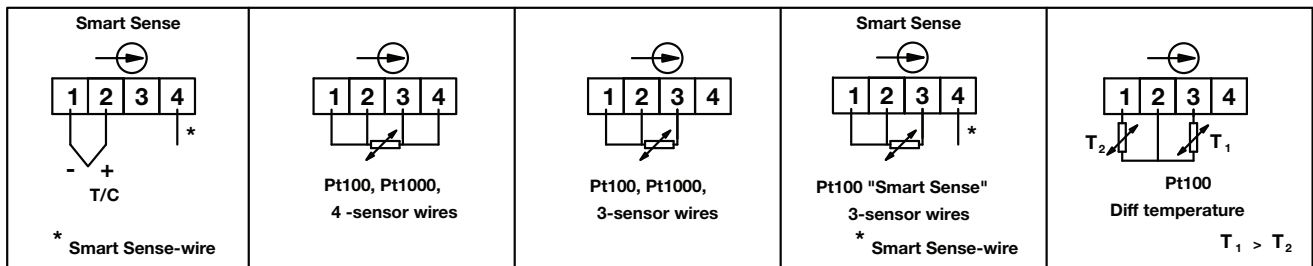
Specifications

- Isolation: 1500VAC for one minute
- Operating voltage: 6.5 to 36 volts (the 5900 is protected against voltage surges and reverse polarity)
- Sensor burn out protection: A pulsed current continuously checks all sensor leads for disconnect. The output will go upscale or downscale.
- Minimum input signal: RTDs: 10°C, Thermocouples: 2mV
- Operating temperature: -40 to 85°C
- Response time approx.: 0.5 seconds
- RFI sensitive: 20 - 1000 MHz, 10V/m typical <0.1% (of end value)
- Permissible ripple of supply: 4V p-p
- Long term stability: 0.1% per year
- Calibration inaccuracy, thermocouples: max. of 20µ volts or 0.01%
- Temperature effect: cold junction compensation 0.02% C/C
- Housing: PC, ABS/VO connection polyamid / V2
- Mounting: DIN B

Dimensional Drawings



Wiring Diagram



Note: All accessories are subject to minimum purchase quantities.

Accessories

Transmitters

SERIES 5900 (Isolated)

Ordering Information

Part Number

① ② ③ ④	⑤	⑥	⑦ ⑧ ⑨	⑩	⑪ ⑫ ⑬ ⑭	⑮
SERIES	Sensor Type	Low Temp. Sign	Low Temp.	High Temp. Sign	High Temp.	Unit of Measure

① ② ③ ④	SERIES
5900 =	Linearized T/C or RTD
5901 =	1000Ω RTD
5902 =	Isolated, linearized with insulation resistance monitoring

⑤	Sensor Type
B =	Type B T/C
C =	Type C T/C
E =	Type E T/C
J =	Type J T/C
K =	Type K T/C
N =	Type N T/C
R =	Type R T/C
S =	Type S T/C
T =	Type T T/C
0 =	PT100 (IEC 60751, $\alpha = 0.00385$) 3-wire
1 =	PT100 (JIS C 1604, $\alpha = 0.003916$) 3-wire
2 =	PT100 (IEC 60751, $\alpha = 0.00385$) 4-wire
3 =	PT100 (JIS C 1604, $\alpha = 0.003916$) 4-wire
4* =	PT1000 (IEC 60751, $\alpha = 0.00385$) 3-wire
5* =	PT1000 (IEC 60751, $\alpha = 0.00385$) 4-wire
* Only valid options for 5901 SERIES	

⑥	Low Temperature Sign
	Enter + or - sign

⑦ ⑧ ⑨	Low Temperature
	Enter lower limit temperature required

⑩	High Temperature Sign
	Enter + or - sign

⑪ ⑫ ⑬ ⑭	High Temperature
	Enter higher limit temperature required

⑮	Unit of Measure
	Enter °F or °C

Program cable and software part #5900-CABLE

Note: All accessories are subject to minimum purchase quantities.

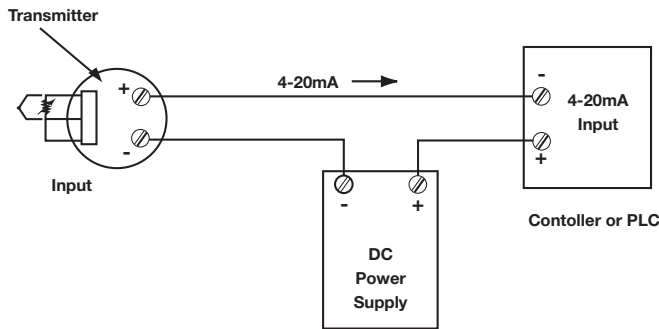
Accessories

Transmitters

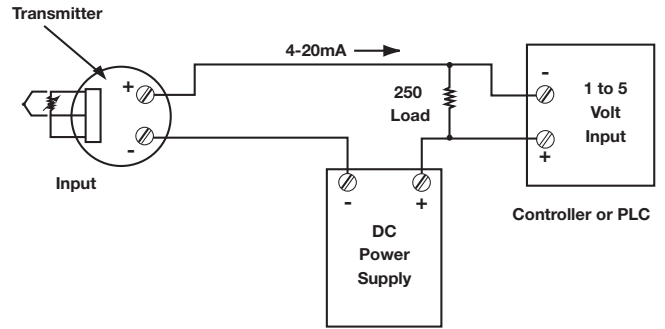
System Components

Typical Wiring Diagrams for Two-Wire Signal Conditioners

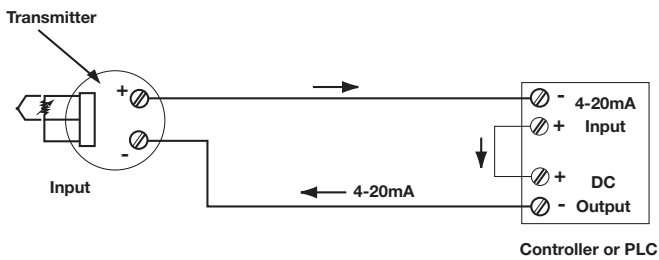
Controller or PLC with 4-20mA Input



Controller or PLC with 1 to 5 Volt Input



Controller or PLC with Intergal Power Supply



Transmitter and Connection Head Mounting Options

Signal Conditioner Model and Description	Connection Heads			
	Cast Aluminum	Cast Iron	Explosion XP SERIES	Poly Heads Pt SERIES
5750, Non-isolated, Non-linearized	Mount with kit 81501901	Does not fit	Mount with kit 81501301	Mount with kit 81501201
5900, 5901 and 5902, Isolated, Linearized	Mount with kit 81501901	Does not fit	Mount with kit 81501301	Mount with kit 81501201

Note: All accessories are subject to minimum purchase quantities.