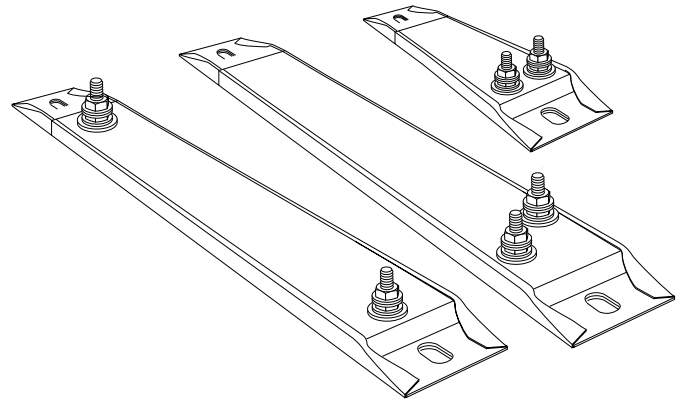


Rugged Heater Capable of High Temperatures and High Watt Densities



Named for its 0.375 inch (9.5 mm) thickness, the Watlow 375 strip is a rugged heater capable of both high temperatures and high watt densities.

Its ruggedness comes from the design and use of choice materials. Watlow begins construction by accurately placing a coiled, nickel-chrome element wire in the center of the heater. The element wire is embedded in MgO-based insulation and compacted into a solid mass that results in excellent heat conductivity and high dielectric strength. Finally, the heater is enclosed in aluminized steel sheathing.

Performance Capabilities

- Aluminized steel sheath temperatures to 1100°F (595°C)
- Stainless steel sheath temperatures to 1200°F (650°C)
- Watt densities to 130 W/in² (20.2 W/cm²)
- UL® approved to 240V~(ac) (File No. E52951)
- CSA approved to 600V~(ac) (File No. LR7392)

Applications

- Food warming
- Freeze and moisture protection
- Tank and platen heating
- Packaging
- Dies and mold heating
- Autoclaves
- Ovens

Features and Benefits

Centered nickel-chrome element wire

- Uniformly heats the strip

Aluminized steel sheath

- Operates at higher temperatures and resists corrosion better than iron-sheathed heaters

Optional 430 stainless steel sheath

- Available for applications where temperatures reach 1200°F (650°C)

Post terminals, welded to the element wire

- Produce strong, trouble-free connections

Rigid 3/8-inch (9.5 mm) thick design

- Enables 375 heater strip to fit into many existing applications

Available dimensions

- From 1½ inches (38 mm) wide, and 5½ inches (140 mm) to 48 inches (1220 mm) long



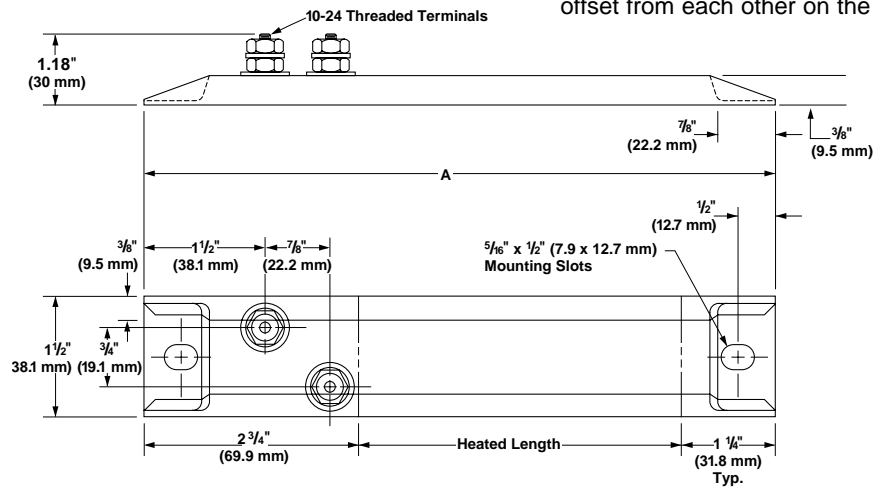
12001 Lackland Road
St. Louis, Missouri 63146 USA
Phone: (314) 878-4600
FAX: (314) 878-6814
Internet: www.watlow.com
e-mail: info@watlow.com

375 STRIP HEATER

375 Strip Termination Options

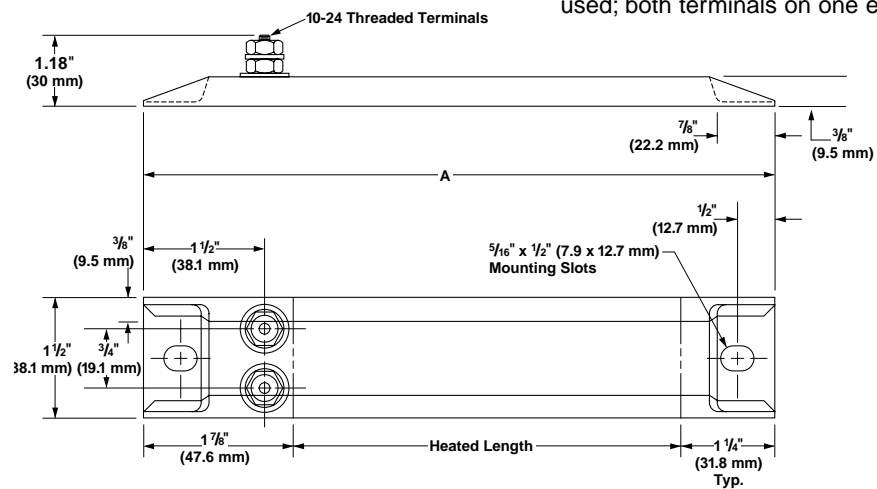
Offset Terminals*

Two 10-24 threaded post terminals are offset from each other on the same end.



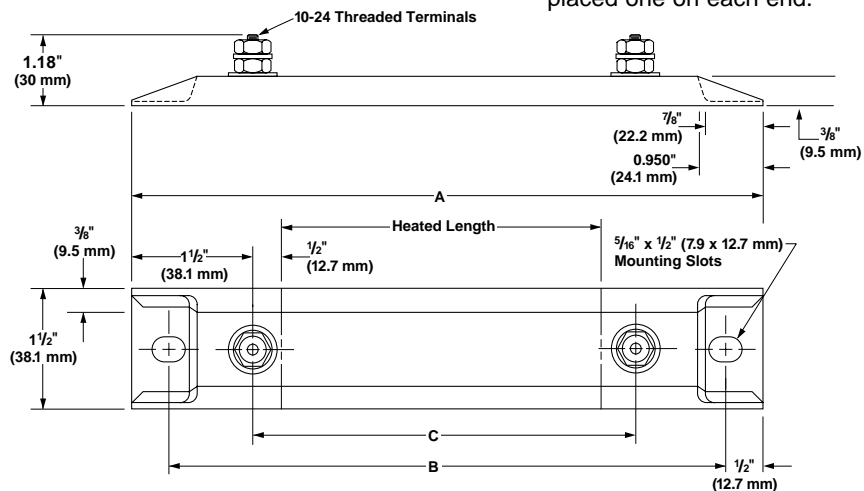
Parallel Terminals*

Two 10-24 threaded post terminals are used; both terminals on one end.



One-on-One Terminals*

Two 10-24 threaded post terminals are placed one on each end.



* Tab removal available from stock or manufactured..

3 7 5 S T R I P H E A T E R

Applications and Technical Data

Calculating Watt Density

Use the Maximum Allowable Watt Density graphs and formulas to ensure that the allowable watt density for the heater will not be exceeded in your application.

Watt density is calculated for one side of the heater only.

Formulas:

$$\text{Watt Density} = \frac{\text{Wattage}}{\text{Heated Area}}$$

Heated Area

(Offset Terminals)

$$= [\text{Overall Length (A)} \times 1.5 \text{ in}] - 6 \text{ in}^2$$

$$= [\text{Overall Length (A)} \times 38.1 \text{ mm}] - 38.7 \text{ cm}^2$$

Heated Area

(Parallel Terminals)

$$= [\text{Overall Length (A)} \times 1.5 \text{ in}] - 4.7 \text{ in}^2$$

$$= [\text{Overall Length (A)} \times 38.1 \text{ mm}] - 30.3 \text{ cm}^2$$

Heated Area

(One-on-One Terminals)

$$= [\text{Overall Length (A)} \times 1.5 \text{ in}] - 6.4 \text{ in}^2$$

$$= [\text{Overall Length (A)} \times 38.1 \text{ mm}] - 41.3 \text{ cm}^2$$

Ordering Information

Please consult the Watlow Heaters catalog for specific information.

How to Order

To order your stock 375 strip heater, specify:

- Quantity
- Watlow code number
- Removal of mounting tabs, if desired

If stock units do not meet specific application needs, Watlow can manufacture 375 strip heaters to special requirements.

For **made-to-order** units, please specify, in addition to above information:

- Width
- Heater length, including mounting tabs
- Terminal type (offset, parallel or one-on-one)

Availability:

- **Stock:** Next day shipment
- **Made-to-Order:** Please consult a Watlow sales engineer or authorized distributor

