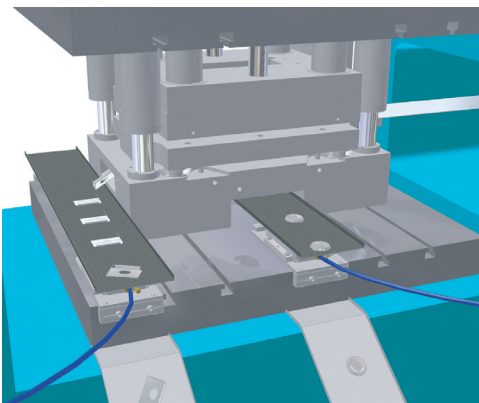


PNEUMATIC PART CONVEYOR

THE SOLUTION FOR TRANSPORTING YOUR PUNCHING AND BENT PARTS OF ALL KINDS



Our **SN9810** pneumatic part conveyors ensure a comfortable removal of punching- and bending waste from the production plants.

They are extremely **flexible, space-saving and robust helpers**. Due to different forward- and backward acceleration values the parts are transported on a sheet metal trough.

YOUR ADVANTAGES:

- ✓ Robust and high-quality construction
- ✓ Also transports „uphill“ up to 8° inclination
- ✓ Use in extremely confined waste chutes
- ✓ Easy handling
- ✓ Adjustable transport speed
- ✓ Fast and trouble-free operation in the series- and mass production
- ✓ Spring return reduces compressed air consumption by 50 %
- ✓ Low noise generation (< 70 dB (A))



Click here for our
YouTube video

You can't find your item?
Then please contact us.

We will be happy to help you!

Team Standard Components

Tel + 49 2351 8701-7500
Mail team5@strack.de
standardcomponents@strack.de
Web www.strack.de